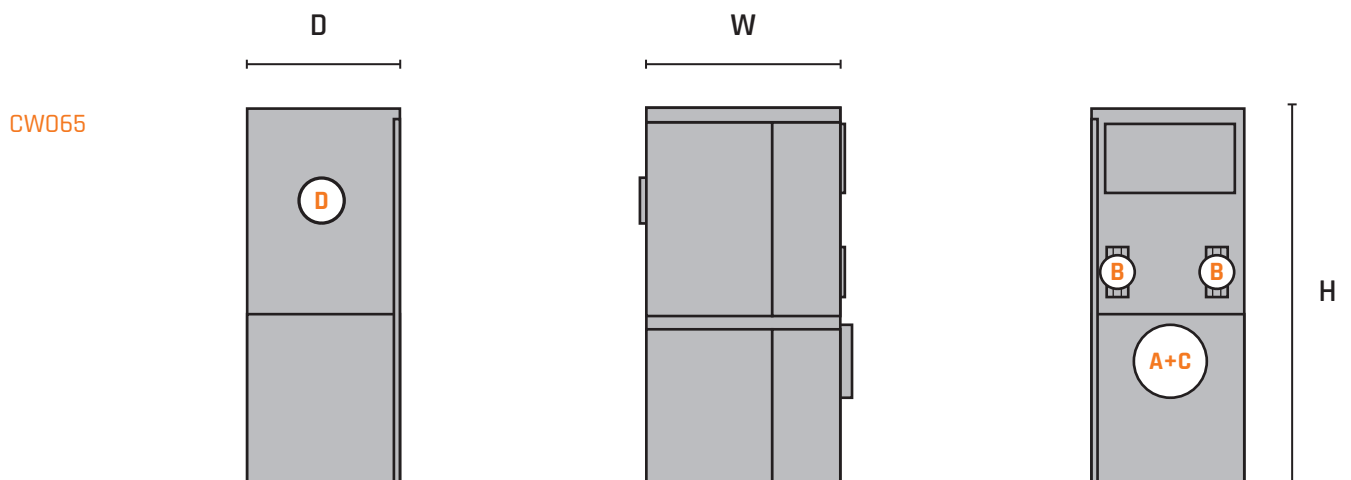
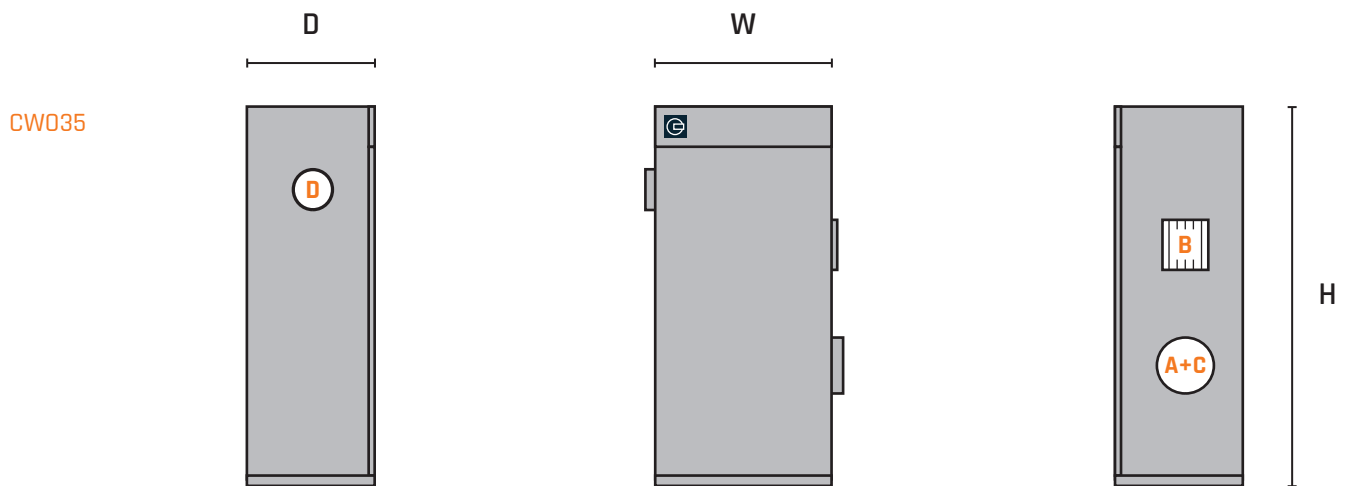
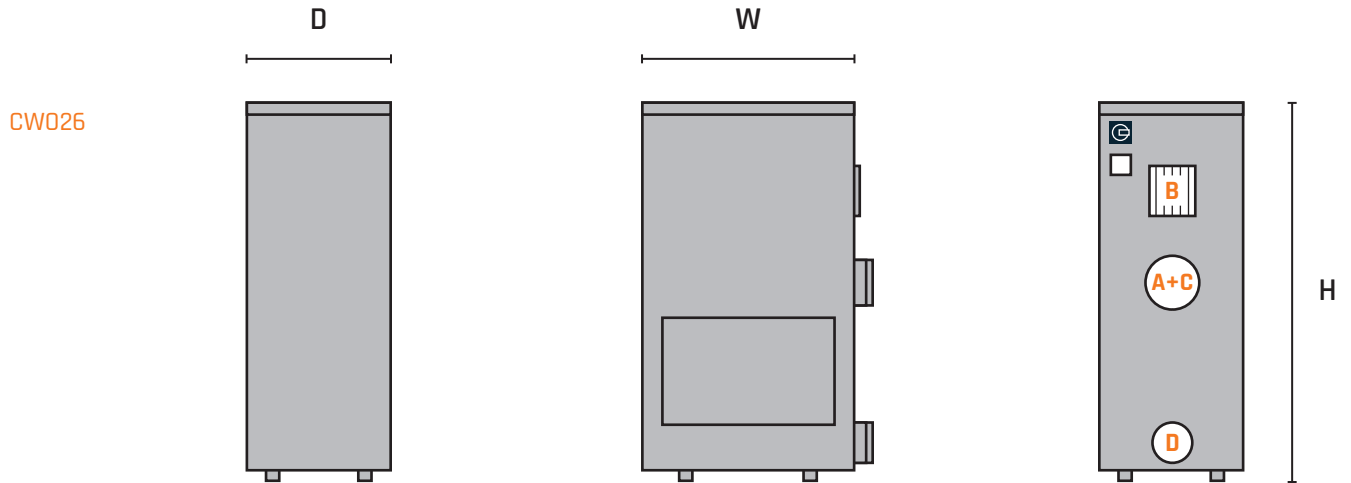


THE CWO RANGE FOR WIND TURBINES

# DATASHEET



## TECHNICAL DATA

THE CWO RANGE				
		CW025	CW035	CW065
<b>TECHNICAL DATA</b>				
DRY AIR NOMINAL	m <sup>3</sup> /h	80	300	1000
REGENERATION AIR NOMINAL	m <sup>3</sup> /h	40	150	500
VOLTAGE/PHASES	V/PH	230V PH+N+PE	3x400V 3PH+PE	3x400V 3PH+PE
CONNECTED LOAD	kW	1.2	5.3	15.7
REGENERATION AIR HEATER	kW	0.94	4	13.7
EXTERNAL FUSES	A	10	16	32
EXTERNAL PRESSURE	Pa	-100 to 100	-550 to 200	-600 to 200

<b>DIMENSIONS AND WEIGHT</b>					
W	WIDTH	mm	480	620	1075
D	DEPTH	mm	329	450	825
H	HEIGHT	mm	851	1328	2010
	WEIGHT	kg	33	95	300

<b>DUCT CONNECTIONS</b>					
<b>A</b>	PROCESS AIR INLET	mm	Ø100	Ø200	Ø250
<b>B</b>	PROCESS AIR OUTLET	mm	N/A*	N/A*	N/A*
<b>C</b>	REGENERATION AIR INLET	mm	N/A	N/A	N/A
<b>D</b>	REGENERATION AIR OUTLET	mm	Ø80	Ø125	Ø400

\*Non-circular opening on side of the unit.