

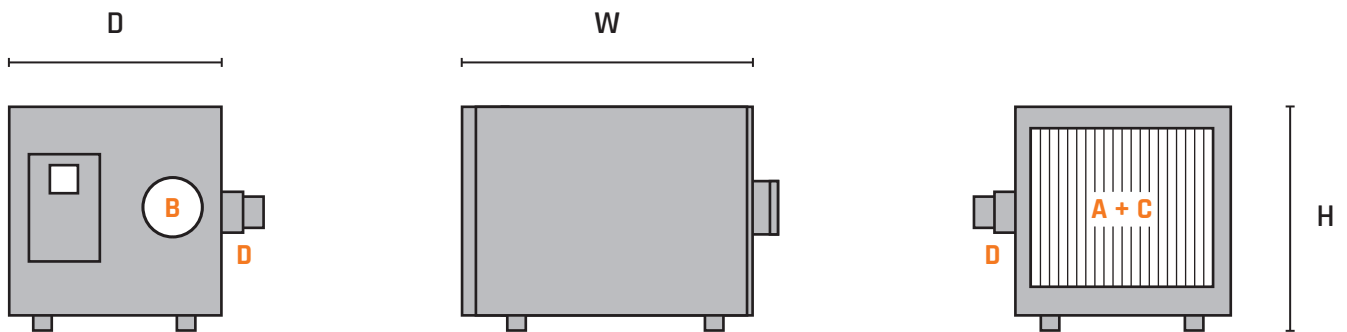
# DATASHEET

## CR80B, CR240B, CR290B, CR400B

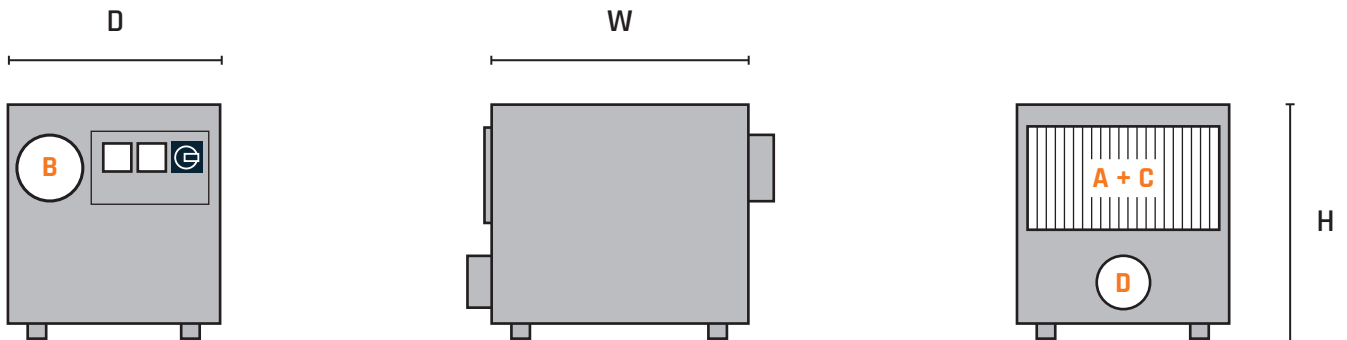
Compact, portable dehumidifiers built for mobility—easy to lift, move, and operate across a wide range of drying tasks.

### TECHNICAL DATA

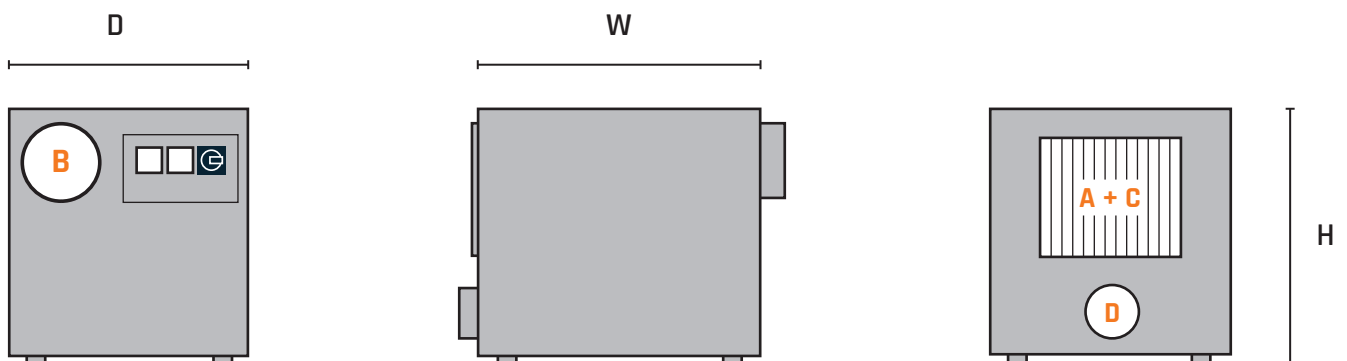
#### CR80B



#### CR240B / CR290B



#### CR400B



## COTES MOBILE

# TECHNICAL DATA

Performance data is based on nominal conditions 20°C, 60%RH.

COTES MOBILE					
		CR80B	CR240B	CR290B	CR400B

### TECHNICAL DATA

DRY AIR	m³/h	80	240	290	400
REGENERATION AIR	m³/h	40	40	65	90
SUPPLY/CONNECTIONS	V/PH	230V-50Hz / 1xPH+N+PE	230V-50Hz / 1xPH+N+PE	230V-50Hz / 1xPH+N+PE	230V-50Hz / 1xPH+N+PE
CONNECTED LOAD	kW	0.83	1.05	1.63	1.97
REGENERATION AIR HEATER	kW	0.77	0.94	1.4	1.84
MAXIMUM FUSE SIZE	A	10	10	10	10
EXT. PRESSURE PROCESS AIR	Pa	50	50	30	50
EXT. PRESSURE REGENERATION AIR	Pa	60	50	50	50
MOISTURE REMOVAL CAPACITY	kg/h	0.44	0.8	1.1	1.4

### DIMENSIONS AND WEIGHT

W WIDTH	mm	386	400	400	472
D DEPTH	mm	313	333	333	405
H HEIGHT	mm	327	361	361	431
WEIGHT (ELECTRICAL)	kg	15	18	19	28

### DUCT CONNECTIONS

A PROCESS AIR INLET	mm	231 x 257	180 x 200	180 x 200	210 x 350
B PROCESS AIR OUTLET	mm	Ø80	Ø100	Ø100	Ø125
C REGENERATION AIR INLET	mm	231 x 257	180 x 200	180 x 200	210 x 350
D REGENERATION AIR OUTLET	mm	Ø50	Ø80	Ø80	Ø80